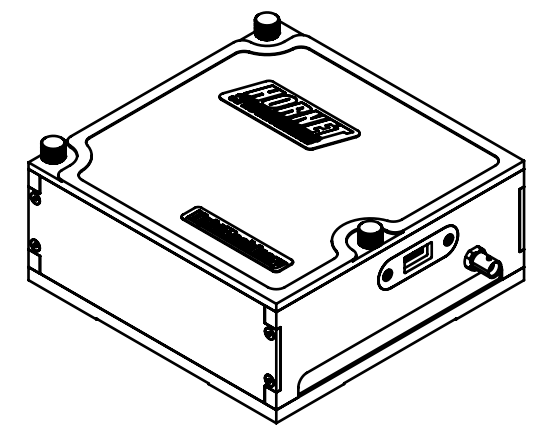
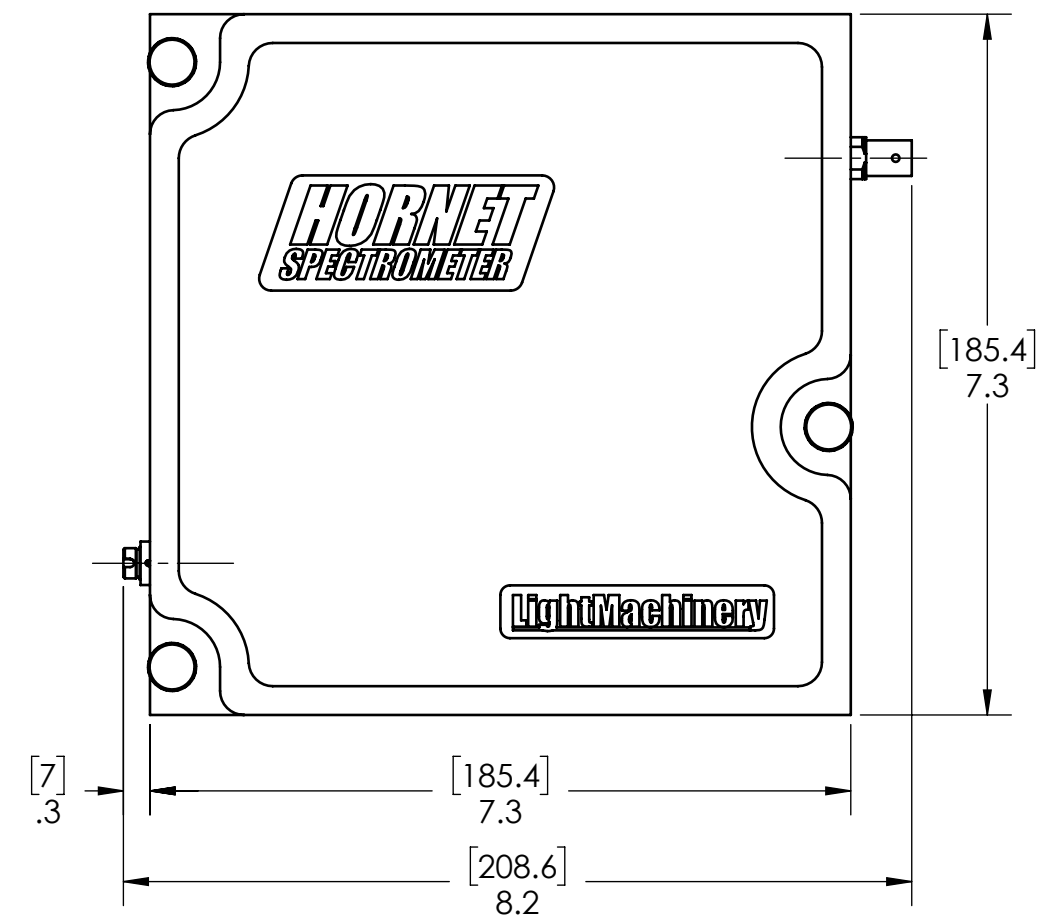
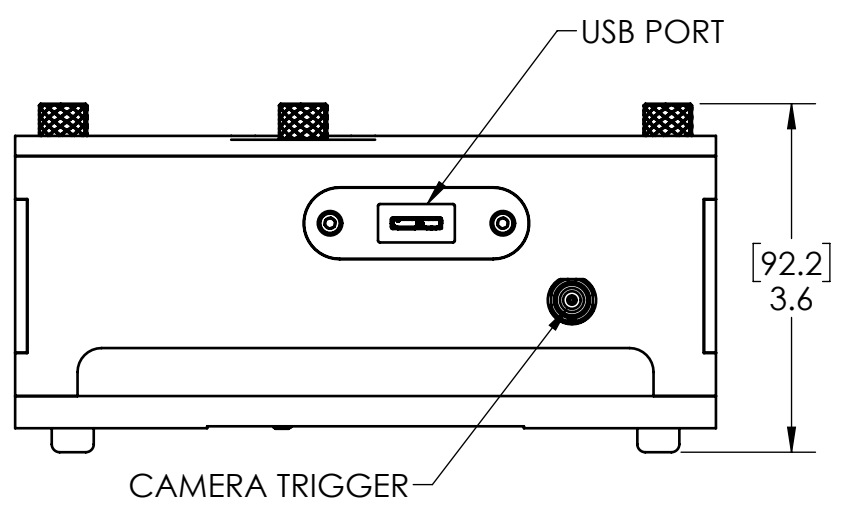
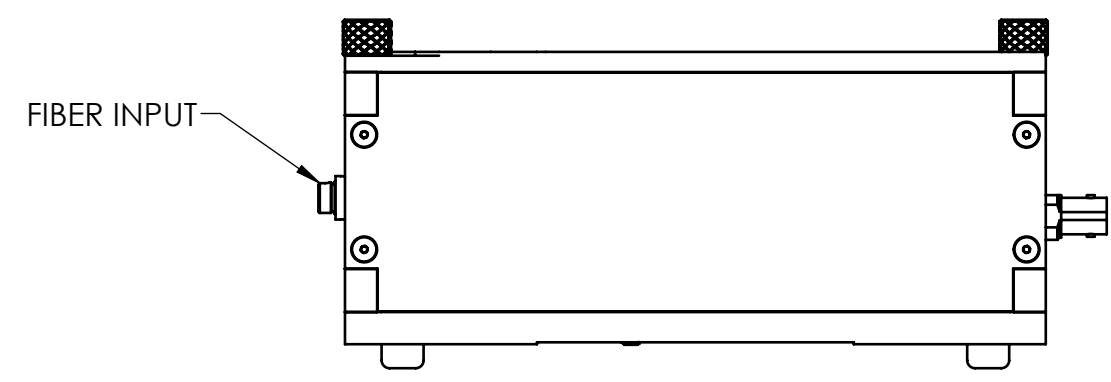


REVISION HISTORY			
REV	DESCRIPTION	DATE	APP'D
A	INITIAL RELEASE		



SCALE 1:4



NOTES:
 1. DIMENSIONS IN [] ARE MILLIMETERS.

UNLESS OTHERWISE SPECIFIED
 DIMENSIONS ARE IN INCHES
 TOLERANCES ARE:
 DECIMALS .X ± .020
 ANGLES .X ± .5°
 .XX ± .010
 .XXX ± .005

THIRD ANGLE PROJECTION

 SOLIDWORKS GENERATED DRAWING
 DO NOT MANUALLY UPDATE

LightMachinery
 Excellence in lasers and optics
 80 COLONNADE RD.
 NEPEAN, ONTARIO, K2E 7L2, CANADA

MATERIAL
 N/A

APPROVALS		DATE
DRAWN BEN SHIM		JUN-26-2020
CHECKED H. JEAN-RUEL		
ENG APPR.		
MFG APPR.		

TITLE:
**NIR HORNET SPECTROMETER
 1010 - 1080nm**

FINISH
 N/A

SIZE **B** DWG. NO. **HN-9354** REV **A**

PROPRIETARY AND CONFIDENTIAL
 THE INFORMATION CONTAINED IN THIS
 DRAWING IS THE SOLE PROPERTY OF
 LIGHTMACHINERY. ANY REPRODUCTION IN
 PART OR AS A WHOLE WITHOUT THE
 WRITTEN PERMISSION OF LIGHTMACHINERY
 IS PROHIBITED.

DO NOT SCALE DRAWING

SCALE: 1:2 SHEET 1 OF 1