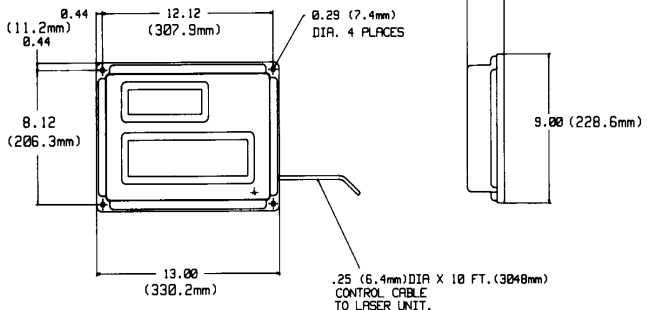
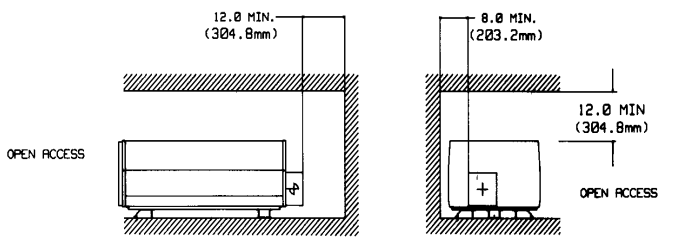


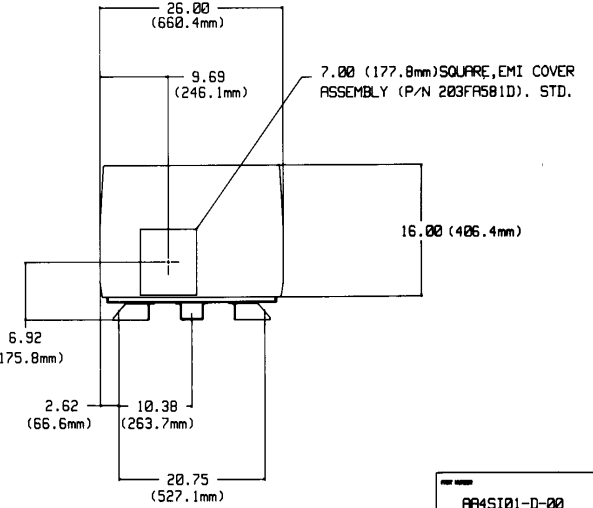
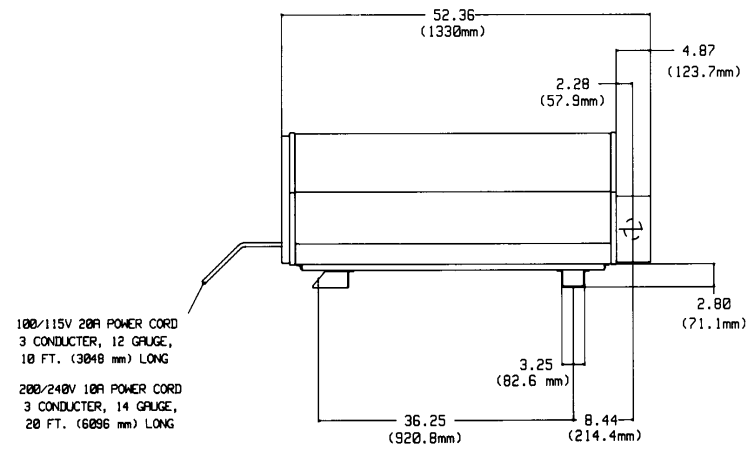
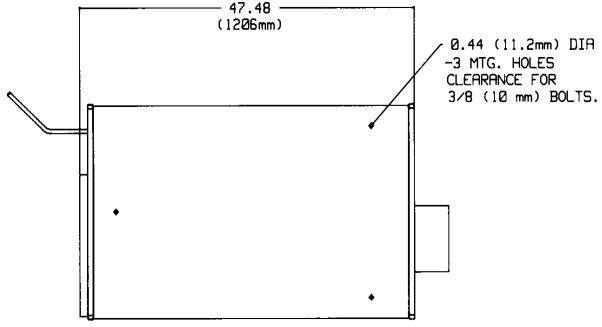
8 | 7 | 6 | 5 | 4 | 3 | 2 | 1



LASER REMOTE CONTROL UNIT
SCALE 1/4



MIN. SERVICE SPACE REQUIREMENTS
SCALE 1/16



NOTE:
2. THIRD ANGLE PROJECTION.
1. APPROXIMATE WEIGHT OF LASER, 2001b (127kg).

REVISIONS		REV	REVISED	PER	APP'D	DATE	REFERENCE DRAWINGS
MATERIAL		UNLESS SPECIFIED					
TREATMENT		DIMENSIONS - SEE "B"					
FINISH		DIMENSIONS - SEE "B"					
DATE		DATE					
SCALE 1/8		SCALE 1/8					
REV A		REV A					
1 OF 1		1 OF 1					

REF NO: RR4S101-D-00

LUMONICS

LUMONICS INC.
KAMATA (OTTAWA), ONTARIO, CANADA.

TITLE
960 LASER
OUTLINE &
INSTALLATION

RR 4S101 -D

SCALE 1/8 REV A SHEET 1 OF 1

10101000 REV B

8 | 7 | 6 | 5 | 4 | 3 | 2 | 1