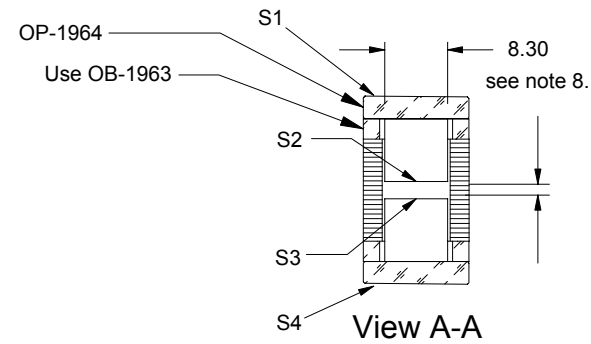
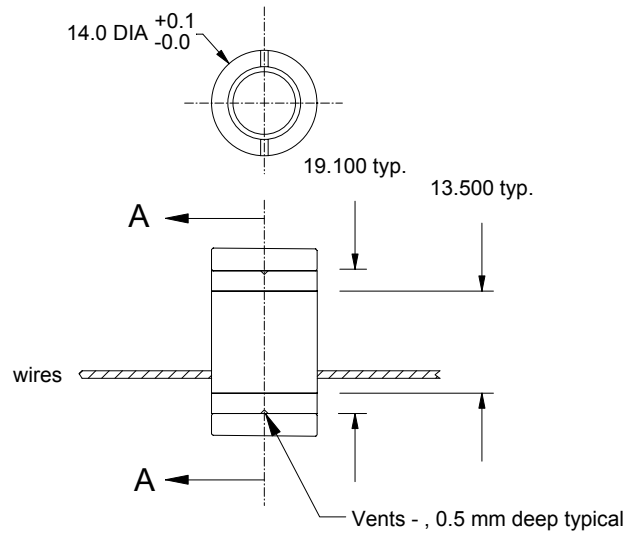


Piezo Tunable Etalon xxxnm, FSR xxxGHz, Finesse x

REVISIONS			
REV	REVISED PER	Date	Approved
A	first release	'2005 March 16	JHH



Notes

1. Operating wavelength = XXXXnm
2. Finesse = X
3. FSR = XXXGHz
4. Coating S1 - AR, R<0.5% at 1550nm
5. Coating S2 - XX% ± 1% at XXXnm
6. Coating S3 - XX% ± 1% at XXXXnm
7. Coating S4- AR, R<0.5% at 1550nm
8. Gap = XXXXmm at 0 volts

dimensions mm		material
Tolerances (unless otherwise noted)		Scale 1:1 Third angle projection
X ±0.5	A ±1°	
X.X ±0.1	A.A ±0.1°	
X.XX ±0.025		
Drawing Template QT-730-002-C		
This design and print is the property of LightMachinery, Inc., and shall not be used as the basis for the manufacture or sale of apparatus without the written permission of LightMachinery, Inc.		